

ACCESSORIES - Endcap Fiber Adapter

JOB NAME

TYPE

SPECIFICATIONS

FEATURES

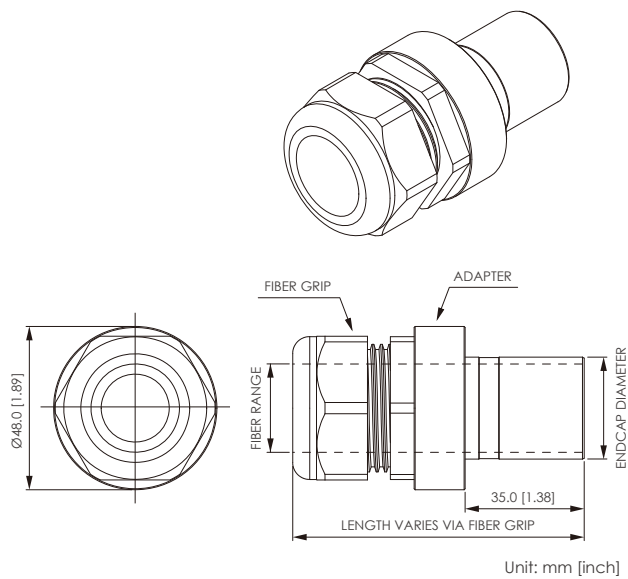
The Endcap Fiber Adaptors fit into the 30mm or 33mm endcap of DiCon FiberLamp models FL210, FL211, FL5200, and FL5600. Five sizes of compression fittings are available to fit a range of fiber diameters from 6mm to 30mm.

MECHANICAL

Material/Finish: Black anodized aluminum and plastic



MECHANICAL DRAWING

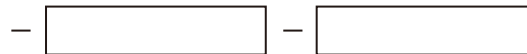


ORDERING GUIDE

ACS

Device Type

ACS Fiberlamp Accessory



Endcap Diameter

Fiber Range

30 30mm

06 6mm - 12mm

33 33mm

10 10mm - 14mm

13 13mm - 20mm

18 18mm - 25mm

22 22mm - 28mm (max 30mm for ACS33)

Example: ACS-30-13