

ACCESSORIES - DMX XLR Adapter

JOB NAME

TYPE

SPECIFICATIONS

FEATURES

The XLR adapter allows users to daisy-chain FiberLamps using standard 3-pin XLR data cables. The XLR Adapter converts a single RJ45 output, which connects to the FiberLamp, to dual XLR ports for DMX in and DMX out.

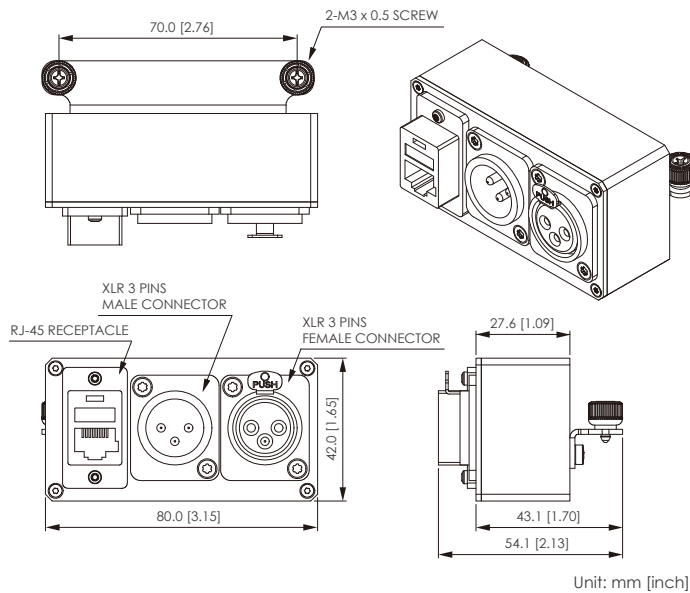
- Minimal data interference
- Direct bolt-on mounting for FL2100
- Dual XLR connectors
- RJ-45 piggyback cable included
- Robust aluminum housing

MECHANICAL

Material/Finish: Black anodized aluminum and plastic
Weight: 0.26 lbs
Dimensions: 3.15" x 2.13" x 1.65"



MECHANICAL DRAWING



ORDERING GUIDE

ACS – XLR

Device Type

ACS Fiberlamp Accessory

Mounting Type

XLR 3-pin XLR

Example: ACS-XLR