

ACCESSORIES - 6004 Mounting Adapter

JOB NAME

TYPE

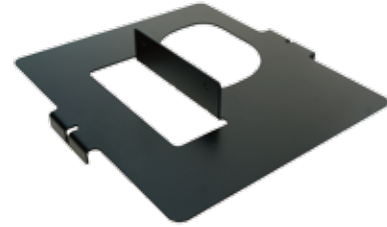
SPECIFICATIONS

FEATURES

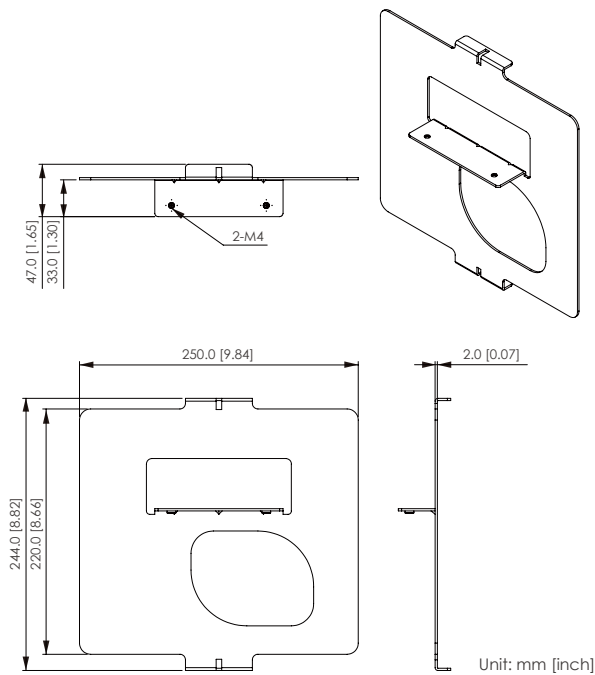
The ACS-BBA6004 Mounting Adapter is used for retrofitting the FL5600 illuminator to the Fiberstars 6004 partial burial box housing.

MECHANICAL

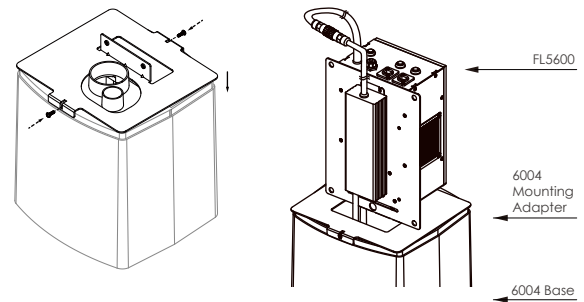
Material/Finish: Black iron plate
 Weight: 1.6 lbs
 Dimensions: 9.84" x 8.82" x 0.07"



MECHANICAL DRAWING



MOUNTING EXAMPLE



ORDERING GUIDE

ACS – BBA6004

Device Type

ACS Fiberlamp Accessory

Mounting Type

BBA6004 6004 Mounting Adapter

Example: ACS-BBA6004