

# FL50 LED Fiberoptic Illuminator

JOB NAME

TYPE

## SPECIFICATIONS

### ELECTRICAL

Input Voltage: 24 V DC  
 Input Current: 2.08 A MAX  
 Power Rating: 50 W

### OPERATING ENVIRONMENT

Ingress Protection: IP20  
 Exposure: Dry location  
 Operating Temperature: 0° to 40°C  
 Storage Temperature: -40° to 70°C  
 Airflow: 13 cfm  
 Acoustic Noise: 13.8 dBA

### MECHANICAL

Material/Finish: Black aluminum  
 Weight: 1.25 lbs.  
 Dimensions: 5.9" x 2.6" x 3.0"  
 DC input cord length: 6ft

### MOUNTING

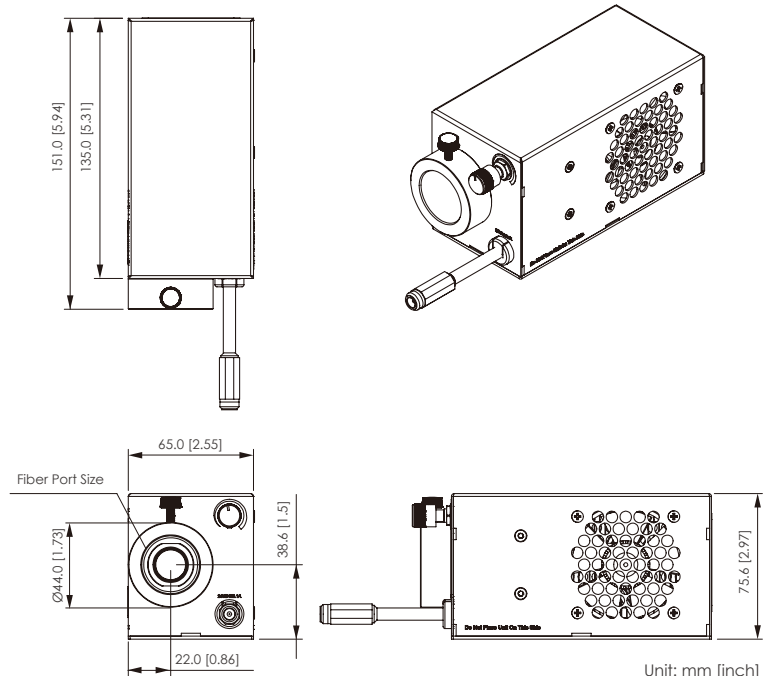
Suitable for surface and undercabinet mounting  
 OK to mount in any orientation  
 Best orientation is with exhaust vent facing up  
 Keep vents free from obstruction



## OPTICAL PERFORMANCE

Device Color	Port Lumens*	Minimum CRI
2700K White	1170lm	90
3000K White	1170lm	90
4200K White	1300lm	90
4400K White	1300lm	90
5000K White	1300lm	85
6500K White	1480lm	75

\*Typical value at 25°C ambient



Unit: mm [inch]

## ORDERING GUIDE

FL50 —  —  —  —  — PSU

### Device Color

**2700** 2700K White  
**3000** 3000K White  
**4200** 4200K White  
**4400** 4400K White  
**5000** 5000K White  
**6500** 6500K White

### Dimming

**M** Manual knob  
**V** 0-10V Analog  
**D** DMX Option

### Fiber Port Size

**30** 30mm  
**33** 33mm

### Homogenizer

**N** No Homogenizer  
**H** With homogenizer

**FIBER CAPACITY:** Using 0.75mm Diameter Fiber: 700 fibers max in 30mm Fiber Port, 1000 fibers max in 33mm Fiber Port. Large Core outer diameter: 30mm for 30mm Fiber Port, 33mm for 33mm Fiber Port. Accessories offered for common end diameters less than 30mm and 33mm: ACS30-xx and ACS33-xx. **HOMOGENIZER:** Homogenizer is suggested when using stranded fiber to ensure each strand is illuminated equally in intensity and color. **PSU INFORMATION:** Reference Cielux.com for PSU information.

**Example: FL50-2700-M-30-N-PSU**