

# FL211 LED Fiberoptic Illuminator Outdoor

JOB NAME

TYPE

## SPECIFICATIONS

### FEATURES

USB programmable  
Stand-alone operation  
DMX controllable

### ELECTRICAL

Input Voltage: 12V DC  
Input Current: 3A MAX

### OPERATING ENVIRONMENT

Ingress Protection: IP66  
Exposure: Wet location  
Operating Temperature: -20° to 45°C  
Storage Temperature: -40° to 75°C  
Acoustic Noise: 0 dBA

### MECHANICAL

Material/Finish: Black anodized aluminum  
Weight: 2.93 lbs.  
Dimensions: 8.2" x 4.4" x 4.4"  
DC input cord length: 6ft  
Thermal Management: Fanless

### MOUNTING

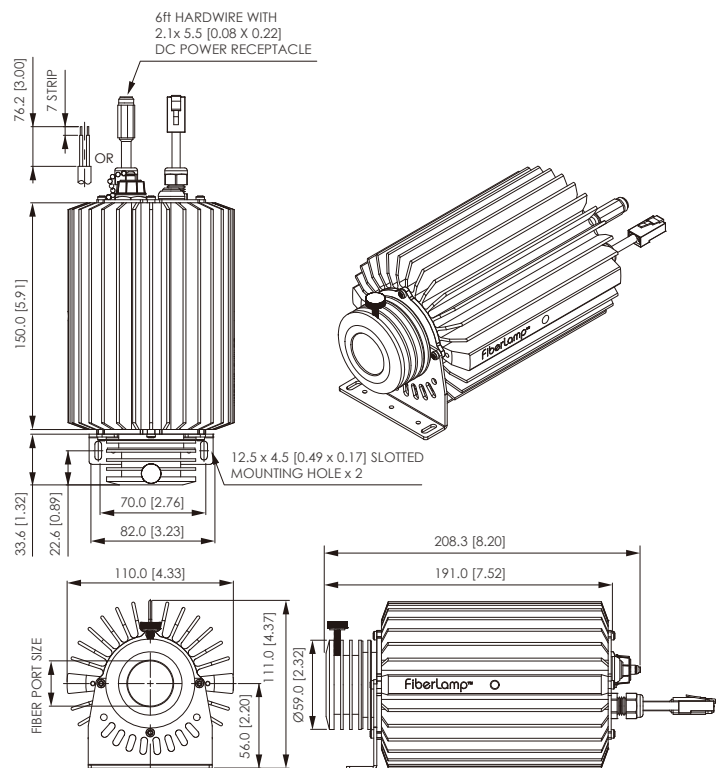
OK to mount in any orientation  
Install in a well ventilated location



## OPTICAL PERFORMANCE

Device Color	Port Lumens*	Minimum CRI
Mixed RGB	240/480/100lm	NA
2800K White	810lm	90
3000K White	810lm	90
4200K White	810lm	90
4400K White	810lm	90
5000K White	810lm	85
6500K White	990lm	75

\*Typical value at 25°C ambient



Unit: mm [inch]

## ORDERING GUIDE\*1

FL211	—	<input type="text"/>	—	<input type="text"/>	—	<input type="text"/>	—	<input type="text"/>
		<u>Device Color</u>		<u>Fiber Port Size</u>		<u>Homogenizer</u>		<u>Power Supply</u>
		<b>MX</b> Mixed RGB		<b>30</b> 30mm		<b>N</b> No Homogenizer		<b>P1</b> Portable LPS w/ DC Connector
		<b>2800</b> 2800K White		<b>33</b> 33mm		<b>H</b> With Homogenizer		<b>H1</b> Hardwired Unit
		<b>3000</b> 3000K White						<b>01</b> No Power Supply, Fly Leads
		<b>4200</b> 4200K White						
		<b>4400</b> 4400K White						
		<b>5000</b> 5000K White						
		<b>6500</b> 6500K White						

**FIBER CAPACITY:** Using 0.75mm Diameter Fiber: 700 fibers max in 30mm Fiber Port, 1000 fibers max in 33mm Fiber Port. Large Core outer diameter: 30mm for 30mm Fiber Port, 33mm for 33mm Fiber Port. Accessories offered for common end diameters less than 30mm and 33mm: ACS30-xx and ACS33-xx. **HOMOGENIZER:** Homogenizer is suggested when using stranded fiber to ensure each strand is illuminated equally in intensity and color. **POWER SUPPLY INFORMATION:** Reference FiberLamp.com for power supply information.

Example: FL211-2800-30-N-P1