

FL2110 LED Fiberoptic Illuminator Outdoor

JOB NAME

TYPE

SPECIFICATIONS

FEATURES

USB programmable
Stand-alone operation
DMX controllable

ELECTRICAL

Input Voltage: 12V DC
Input Current: 3A MAX

OPERATING ENVIRONMENT

Ingress Protection: IP56
Exposure: Wet location
Operating Temperature: -20° to 45°C
Storage Temperature: -40° to 75°C
Acoustic Noise: 25 dBA
Airflow: 18 cfm

MECHANICAL

Material/Finish: Black aluminum
Weight: 1.4 lbs.
Dimensions: 5.5" x 3.0" x 3.3"
Thermal Management: Fan forced airflow

MOUNTING

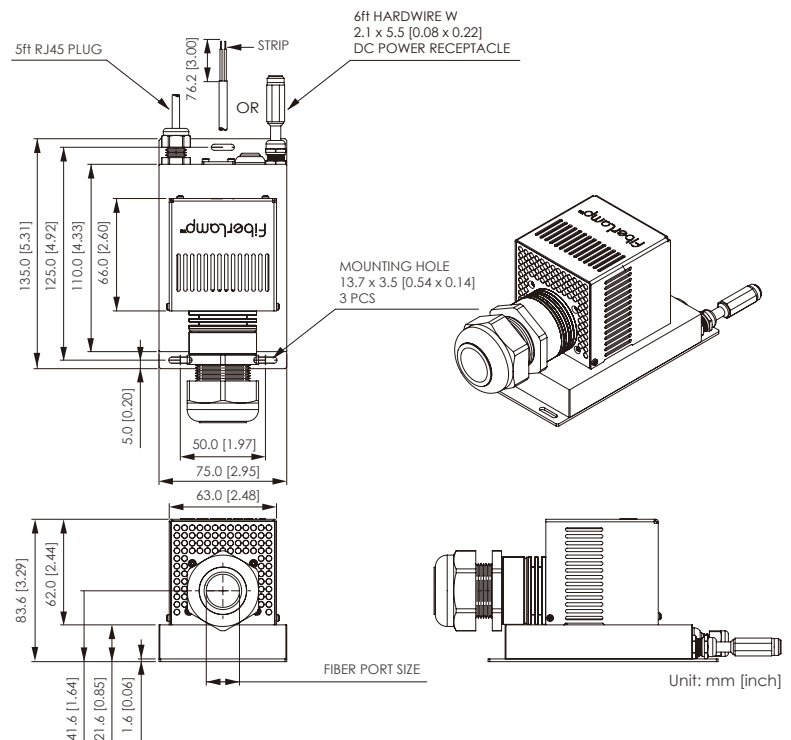
OK to mount in any orientation
Keep vents free from obstruction



OPTICAL PERFORMANCE

Device Color	Port Lumens*	Minimum CRI
Mixed RGB	240/480/100lm	NA
2800K White	810lm	90
3000K White	810lm	90
4200K White	810lm	90
4400K White	810lm	90
5000K White	810lm	85
6500K White	990lm	75

*Typical value at 25°C ambient



ORDERING GUIDE

FL2110	Device Color	Fiber Port Size	Homogenizer	Power Supply
MX	Mixed RGB	10 10-14mm	N No Homogenizer	P1 Portable LPS w/ DC Connector
2800	2800K White	13 13-20mm	H With Homogenizer	H1 Hardwired Unit
3000	3000K White	18 18-25mm		01 No Power Supply, Fly Leads
4200	4200K White			
4400	4400K White			
5000	5000K White			
6500	6500K White			

FIBER CAPACITY: Using 0.75mm Diameter Fiber: 180 fibers in Fiber Port Size 10, 400 fibers in Fiber Port Size 13, 600 fibers in Fiber Port Size 18. **HOMOGENIZER:** Homogenizer is suggested when using stranded fiber to ensure each strand is illuminated equally in intensity and color. **POWER SUPPLY INFORMATION:** Reference FiberLamp.com for power supply information.

Example: FL2110-2800-10-N-P1