

FL210 LED Fiberoptic Illuminator Indoor

JOB NAME

TYPE

SPECIFICATIONS

FEATURES

USB programmable
Stand-alone operation
DMX controllable

ELECTRICAL

Input Voltage: 12V DC
Input Current: 3A MAX

OPERATING ENVIRONMENT

Ingress Protection: IP20
Exposure: Dry location
Operating Temperature: -20° to 45°C
Storage Temperature: -40° to 70°C
Acoustic Noise: 0 dBA

MECHANICAL

Material/Finish: Black anodized aluminum
Weight: 2.93 lbs.
Dimensions: 7.5" x 4.3" x 4.4"
DC input cord length: 6ft
Thermal Management: Fanless

MOUNTING

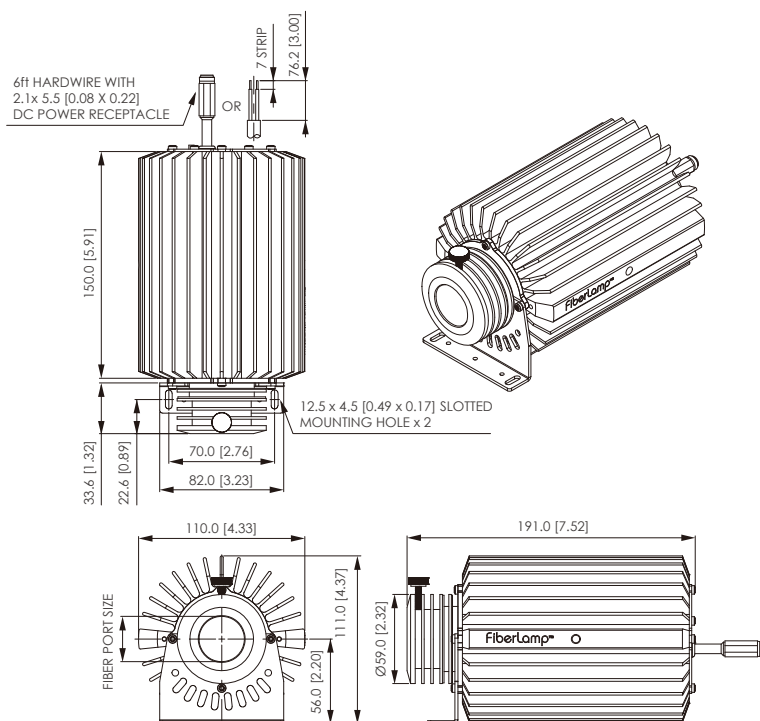
OK to mount in any orientation
Install in a well ventilated location



OPTICAL PERFORMANCE

Device Color	Port Lumens*	Minimum CRI
Mixed RGB	240/480/100lm	NA
2800K White	810lm	90
3000K White	810lm	90
4200K White	810lm	90
4400K White	810lm	90
5000K White	810lm	85
6500K White	990lm	75

*Typical value at 25°C ambient



Unit: mm [inch]

ORDERING GUIDE

FL210	Device Color	Fiber Port Size	Homogenizer	Power Supply
MX	Mixed RGB	30 30mm	N No Homogenizer	P1 Portable LPS w/ DC Connector
2800	2800K White	33 33mm	H With Homogenizer	H1 Hardwired Unit
3000	3000K White			01 No Power Supply, Fly Leads
4200	4200K White			
4400	4400K White			
5000	5000K White			
6500	6500K White			

FIBER CAPACITY: Using 0.75mm Diameter Fiber: 700 fibers max in 30mm Fiber Port, 1000 fibers max in 33mm Fiber Port. Large Core outer diameter: 30mm for 30mm Fiber Port, 33mm for 33mm Fiber Port. Accessories offered for common end diameters less than 30mm and 33mm: ACS30-xx and ACS33-xx. **HOMOGENIZER:** Homogenizer is suggested when using stranded fiber to ensure each strand is illuminated equally in intensity and color. **POWER SUPPLY INFORMATION:** Reference FiberLamp.com for power supply information.

Example: FL210-2800-30-N-P1