

# FL2100 LED Fiberoptic Illuminator Indoor

JOB NAME

TYPE

## SPECIFICATIONS

### FEATURES

USB programmable  
Stand-alone operation  
DMX controllable

### ELECTRICAL

Input Voltage: 12V DC  
Input Current: 3A MAX

### OPERATING ENVIRONMENT

Ingress Protection: IP20  
Exposure: Dry location  
Operating Temperature: -20° to 45°C  
Storage Temperature: -40° to 75°C  
Acoustic Noise: 32 dBA  
Airflow: 18 cfm

### MECHANICAL

Material/Finish: Black aluminum  
Weight: 0.6 lbs.  
Dimensions: 5.5" x 2.4" x 2.3"  
Thermal Management: Fan forced airflow

### MOUNTING

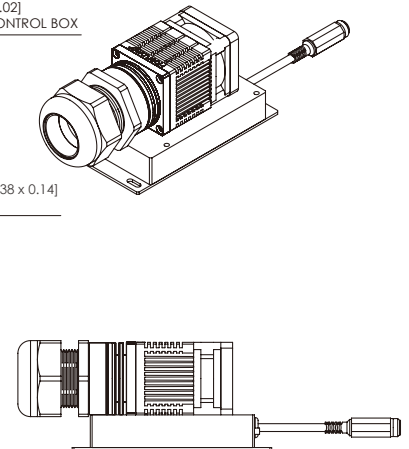
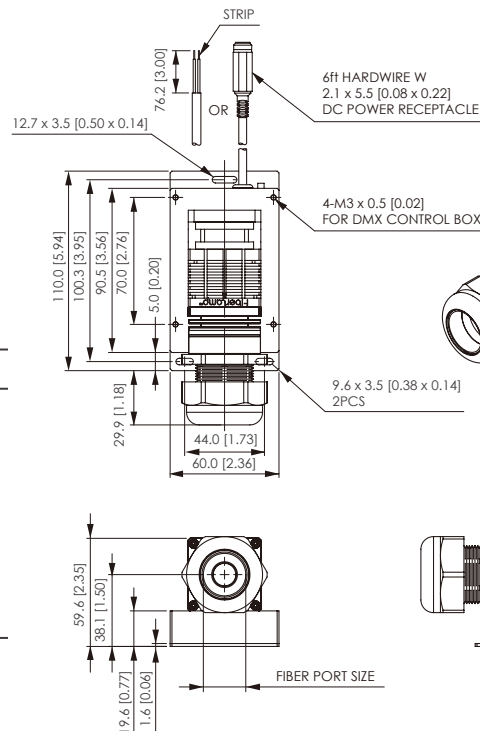
OK to mount in any orientation  
Keep vents free from obstruction



## OPTICAL PERFORMANCE

Device Color	Port Lumens*	Minimum CRI
Mixed RGB	240/480/100lm	NA
2800K White	810lm	90
3000K White	810lm	90
4200K White	810lm	90
4400K White	810lm	90
5000K White	810lm	85
6500K White	990lm	75

\*Typical value at 25°C ambient



Unit: mm [inch]

## ORDERING GUIDE

FL2100	Device Color	Fiber Port Size	Homogenizer	Power Supply
<b>MX</b>	Mixed RGB	<b>10</b> 10-14mm	<b>N</b> No Homogenizer	<b>P1</b> Portable LPS w/ DC Connector
<b>2800</b>	2800K White	<b>13</b> 13-20mm	<b>H</b> With Homogenizer	<b>H1</b> Hardwired Unit
<b>3000</b>	3000K White	<b>18</b> 18-25mm		<b>01</b> No Power Supply, Fly Leads
<b>4200</b>	4200K White			
<b>4400</b>	4400K White			
<b>5000</b>	5000K White			
<b>6500</b>	6500K White			

**FIBER CAPACITY:** Using 0.75mm Diameter Fiber: 180 fibers in Fiber Port Size 10, 400 fibers in Fiber Port Size 13, 600 fibers in Fiber Port Size 18. **HOMOGENIZER:** Homogenizer is suggested when using stranded fiber to ensure each strand is illuminated equally in intensity and color. **POWER SUPPLY INFORMATION:** Reference FiberLamp.com for power supply information.

Example: FL2100-2800-10-N-P1