

# FL100 LED Fiberoptic Illuminator

JOB NAME

TYPE

## SPECIFICATIONS

### ELECTRICAL

Input Voltage: 24 V DC  
 Input Current: 5 A MAX  
 Power Rating: 120 W

### OPERATING ENVIRONMENT

Ingress Protection: IP20  
 Exposure: Dry location  
 Operating Temperature: 0° to 40°C  
 Storage Temperature: -40° to 70°C  
 Airflow: 30 cfm  
 Acoustic Noise: 19 dBA

### MECHANICAL

Material/Finish: Clear anodized aluminum  
 Weight: 2.45 lbs.  
 Dimensions: 7.9" x 4.7" x 3.4"  
 DC input cord length: 6ft

### MOUNTING

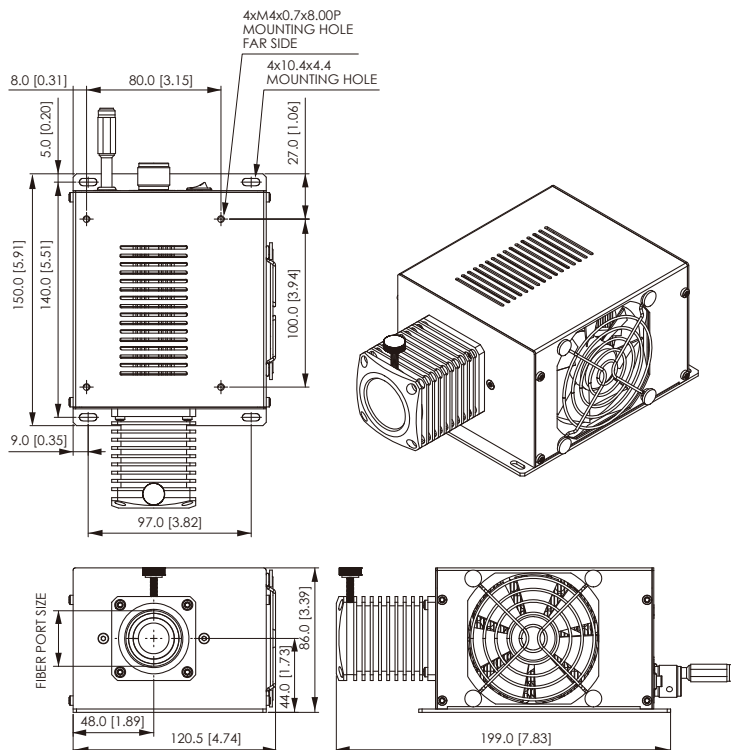
Suitable for surface and undercabinet mounting  
 OK to mount in any orientation  
 Best orientation is with exhaust vent facing up  
 Keep vents free from obstruction



## OPTICAL PERFORMANCE

Device Color	Port Lumens*	Minimum CRI
2800K White	2750lm	90
3000K White	2750lm	90
4200K White	3125lm	90
4400K White	3125lm	90
5000K White	3250lm	85
6500K White	3250lm	75

\*Typical value at 25°C ambient



Unit: mm [inch]

## ORDERING GUIDE

FL100 —  —  —  —  — PSU

Device Color

**2800** 2800K White  
**3000** 3000K White  
**4200** 4200K White  
**4400** 4400K White  
**5000** 5000K White  
**6500** 6500K White

Dimming

**M** Manual knob

Fiber Port Size

**30** 30mm  
**33** 33mm

Homogenizer

**N** No Homogenizer  
**H** With homogenizer

**FIBER CAPACITY:** Using 0.75mm Diameter Fiber: 700 fibers max in 30mm Fiber Port, 1000 fibers max in 33mm Fiber Port. Large Core outer diameter: 30mm for 30mm Fiber Port, 33mm for 33mm Fiber Port. Accessories offered for common end diameters less than 30mm and 33mm: ACS30-xx and ACS33-xx. **HOMOGENIZER:** Homogenizer is suggested when using stranded fiber to ensure each strand is illuminated equally in intensity and color. **PSU INFORMATION:** Reference Cielux.com for PSU information.

Example: FL100-2800-M-30-N-PSU